

Pivot's compact profile and 73 unique mounting positions allow you to aim airflow at those hard-to-reach places. Mounted from the ceiling or a column, Pivot fits into tight spaces.

WHAT'S YOUR FAVORITE POSITION?

- **Construction** — Protective cage for the toughest environments; pivoting joints allow head angle adjustments; precision-molded hub features a high-density casting to ensure smooth operation
- **Patented Airfoils and Winglets** — Six aluminum Windy® airfoils with safety yellow winglets
- **Motor and Drive** — 1 hp motor with NEMA 4X VFD eliminate RFI and EMI noise and provide quiet operation
- **Controller** — Easy-to-use keypad and digital display allow for customizable comfort and adjustable air speed
- **Mounting Options** — Standard upper mount installs to I-beams and bar joists; optional kits allow for mounting to Z-purlins, solid beams, and vertical columns
- **Safety Features** — Safety cable, Grade 8 bolts, and fire relay for integration with sprinkler systems (must be wired if required by local code)
- **Color Customization** — Choose from one of our 11 classic colors, or dream up a color of your own
- **Accessories** — Pivot 180 oscillator and SmartSense. See respective spec sheets for details



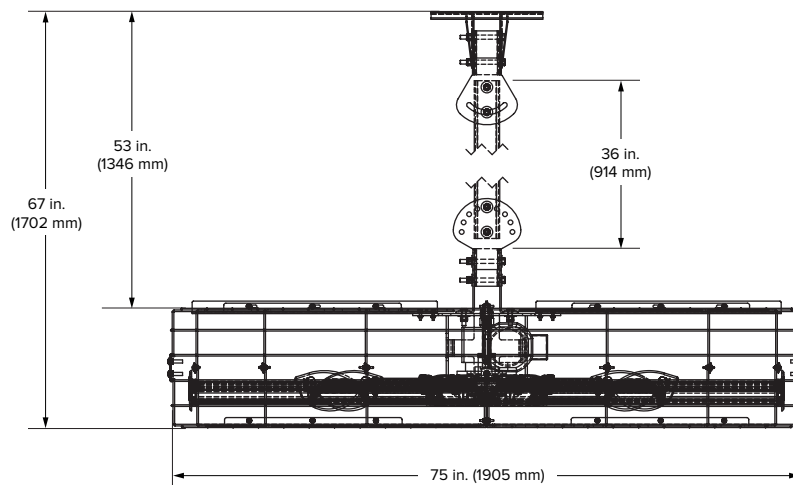
Technical Specifications

Fan diameter	Input power and required breaker	Max amps	Max speed	Sound level at max speed ¹	Weight ²	Motor	Airfoil clearances	Air velocity ³
6 ft (1.8 m)	100–125 VAC, 50/60 Hz, 1 Φ, 20 A 200–250 VAC, 50/60 Hz, 1 Φ, 15 A 200–250 VAC, 50/60 Hz, 3 Φ, 10 A 400–480 VAC, 50/60 Hz, 3 Φ, 10 A	11 A @ 100–125 VAC, 1 Φ 5.5 A @ 200–250 VAC, 1 Φ 3.2 A @ 200–250 VAC, 3 Φ 1.6 A @ 400–480 VAC, 3 Φ	210 RPM	52 dBA	207 lb (94 kg)	1.0 hp (0.75 kW)	4 ft (1.2 m) from ceiling 4 ft (1.2 m) from wall 2 ft (0.6 m) on all sides 12 ft (3.7 m) from corner	389–139 fpm (118.6–42.4 mpm)

¹ Measured 25 ft (7.6 m) from center of fan. Fans are sound tested at maximum speed in a laboratory environment. Actual results in field conditions may vary due to sound reflecting surfaces and environmental conditions.

² Weight includes standard 3-ft (0.9-m) extension tube and standard mount

³ Feet per minute. Measured from 0 to 120 ft (0 to 36.6 m) from center of fan.



Pictured with a 2-ft extension tube



Certified to UL 507 and CSA C22.2

Lead times may vary.
See full warranty for coverage information.
Specifications subject to change without notice.



AMERICAS
BIGASSOLUTIONS.COM
877-244-3267

CANADA
BIGASSOLUTIONS.COM/CA
844-924-4277

AUSTRALIA
BIGASSOLUTIONS.COM/AU
1-300-244-277

HONG KONG
BIGASSOLUTIONS.COM/HK
+852 2836 5808

SINGAPORE
BIGASSOLUTIONS.COM/SG
+65 6709 8500

MALAYSIA
+603 5565 0888