




QUICK INSTALLATION GUIDE



Powerfoil® X3.0 LED Light

TO REDUCE THE RISK OF FIRE, ELECTRIC SHOCK, OR INJURY TO PERSONS, OBSERVE THE FOLLOWING:

-  **WARNING:** Disconnect power to the installation locations before installing the fan, controller, and LED light.
-  **WARNING:** Installation work and electrical wiring must be done by qualified person(s) in accordance with all applicable codes and standards, including fire-rated construction. Incorrect assembly can cause electric shock or damage the motor and the controller.
-  **CAUTION:** The Big Ass Fans product warranty will not cover equipment damage or failure that is caused by improper installation or use.

BEFORE YOU START

Before beginning LED light installation:

1. Install the fan according to the Quick Installation Guide.
2. **DISCARD** the “LED Light Installation” instructions included in the box with the LED light.
3. Make sure the LED light will be installed on a separate circuit from the fan. The LED light and fan are controlled separately. Connect the LED light to the lighting grid control, not to the fan control.

HARDWARE



(2) Static Tube Retainer Clips*



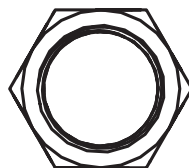
(3) 1/4-20 x 1" Flange Hex Head Cap Screws**



(3) 1/4-20 Hex Flange Nylock Nuts**



(1) 10-24 x 3/8" Set Screw



(1) 3/4" Lock Nut



(4) 10-16 x 1/2" Pan Head Screws***



(2) Ø3/32" x 2-1/2" Cotter Pins**



(8) M4 Socket Head Cap Screws****



(8) M4 Lock Washers****

*One clip is provided with each static tube. Only one tube and clip are needed.

**Spare hardware included

***Included with fan mounting hardware

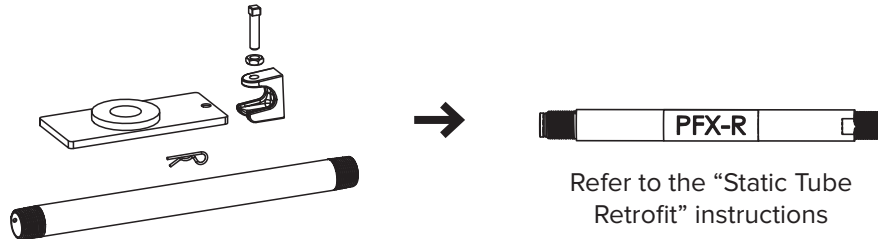
****Pre-installed to LED light

1. STATIC TUBE

Install either the “**PFX**” or “**PFX-R**” static tube according to the provided “Static Tube Retrofit” instructions. Refer to the appropriate installation method for your fan’s motor frame type.

FANS THAT ALREADY HAVE A REMOVABLE STATIC TUBE

If your fan already has a **field-installed (removable)** static tube, uninstall the static tube, bracket, and clamp. Replace with the provided static tube marked “**PFX-R**.” Refer to the provided “Static Tube Retrofit” instructions for installation details.

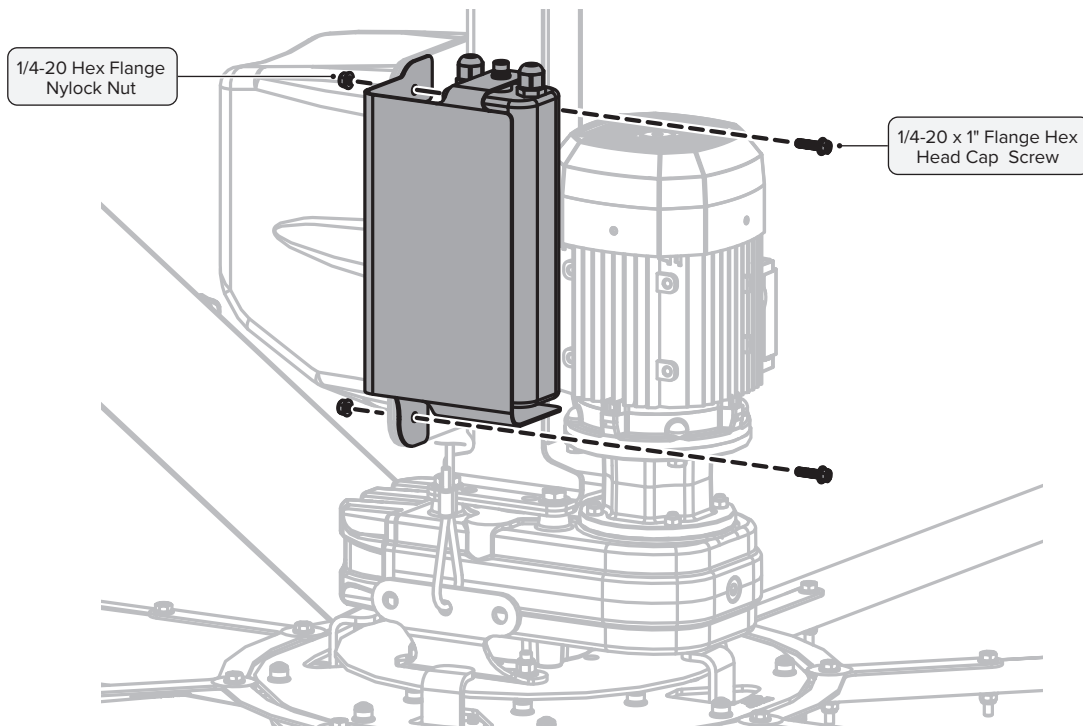


FANS THAT ALREADY HAVE A NON-REMOVABLE STATIC TUBE

If your fan already has a **factory-installed (non-removable)** static tube, remove the junction box and cotter pin from the bottom of the static tube, and then proceed to step 2.

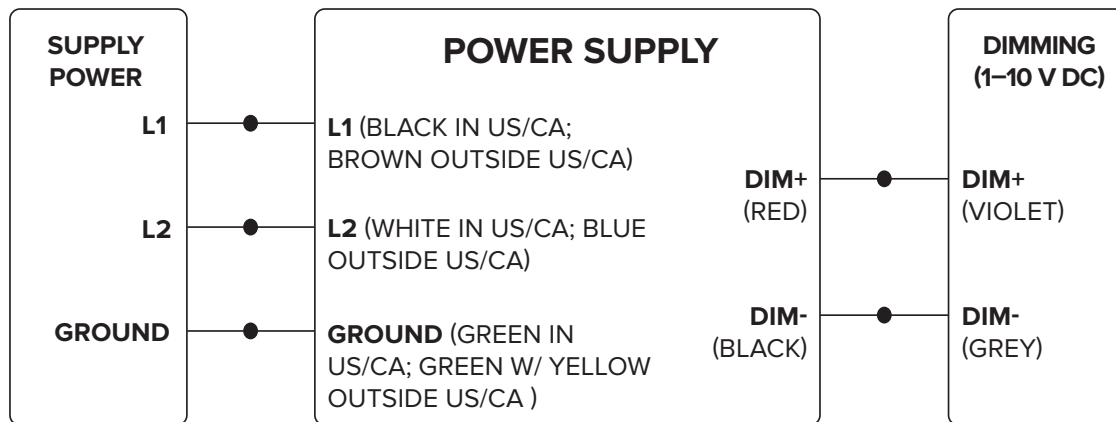
2. POWER SUPPLY

Remove and discard the upper and lower screws securing the right side of the VFD cover. Mount the power supply to the VFD.



3. POWER SUPPLY WIRING

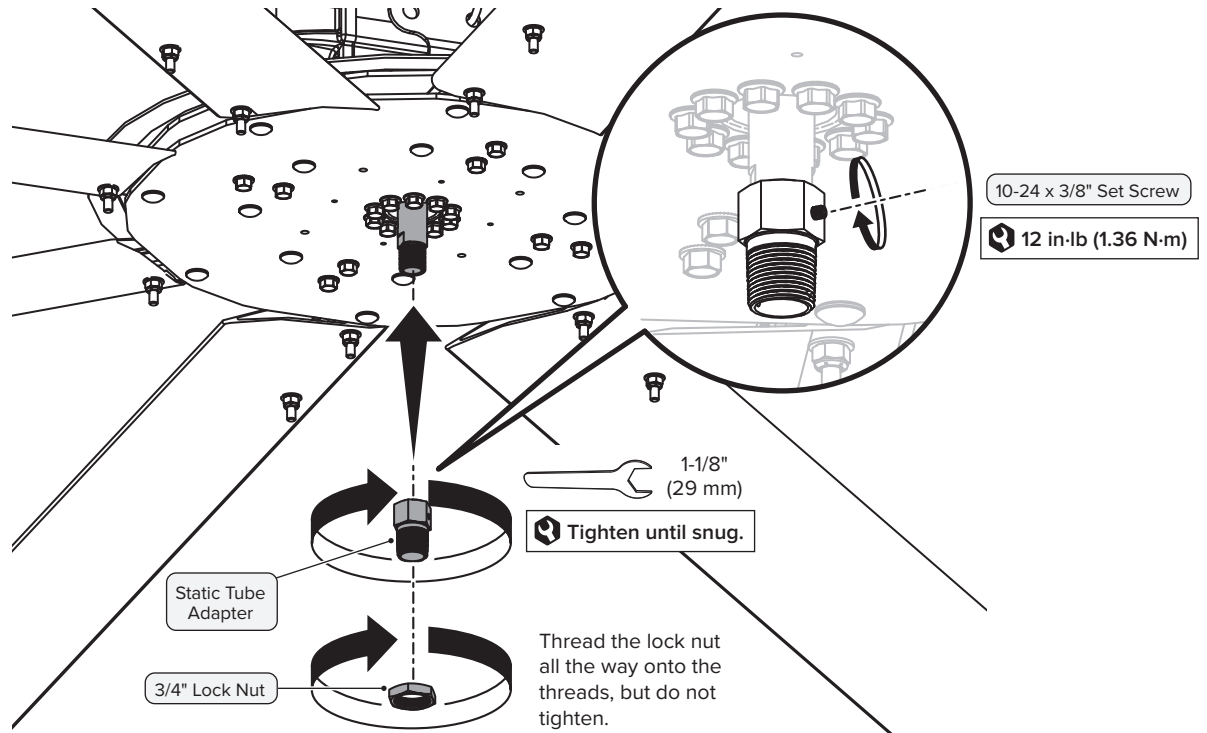
Refer to the input voltage marked on the LED light. Route power to the power supply and wire the power supply according to the diagram and table below.



	Supply voltage	LED module's L1 (black) connects to	LED module's L2 (white) connects to
Low voltage (120–277 V ± 15%)	120 VAC, 1 Φ derived from 1 Φ, 240/120 V panel	H (black)	N (white)
	208 VAC, 3 Φ derived from 3 Φ, 208/120 V panel	L1 (black), L2 (red), or L3 (blue)	L2 (red), L3 (blue), or L1 (black)
	240 VAC, 1 Φ derived from 1 Φ, 240/120 V panel	L1 (black)	L2 (red)
	240 VAC, 1 Φ derived from 3 Φ, 240/120 V panel, B phase wild	L1 (black), L2 (orange), or L3 (blue)	L2 (orange), L3 (blue), or L1 (black)
All	277 VAC, 1 Φ derived from 3 Φ, 480/277 V panel	L1 (brown), L2 (orange), or L3 (yellow)	N (white)
High voltage (347–480 V ± 15%)	347 VAC, 1 Φ derived from 3 Φ, 600/347 V panel	L1 (red), L2 (black), or L3 (blue)	N (white)
	480 VAC, 3 Φ derived from 3 Φ, 480/277 V panel	L1 (brown), L2 (orange), or L3 (yellow)	L2 (orange), L3 (yellow), or L1 (brown)
	480 VAC, 1 Φ derived from 3 Φ, 480 V panel, corner ground	L1 (brown) or L3 (yellow)	L2/Grounded conductor (white or gray)

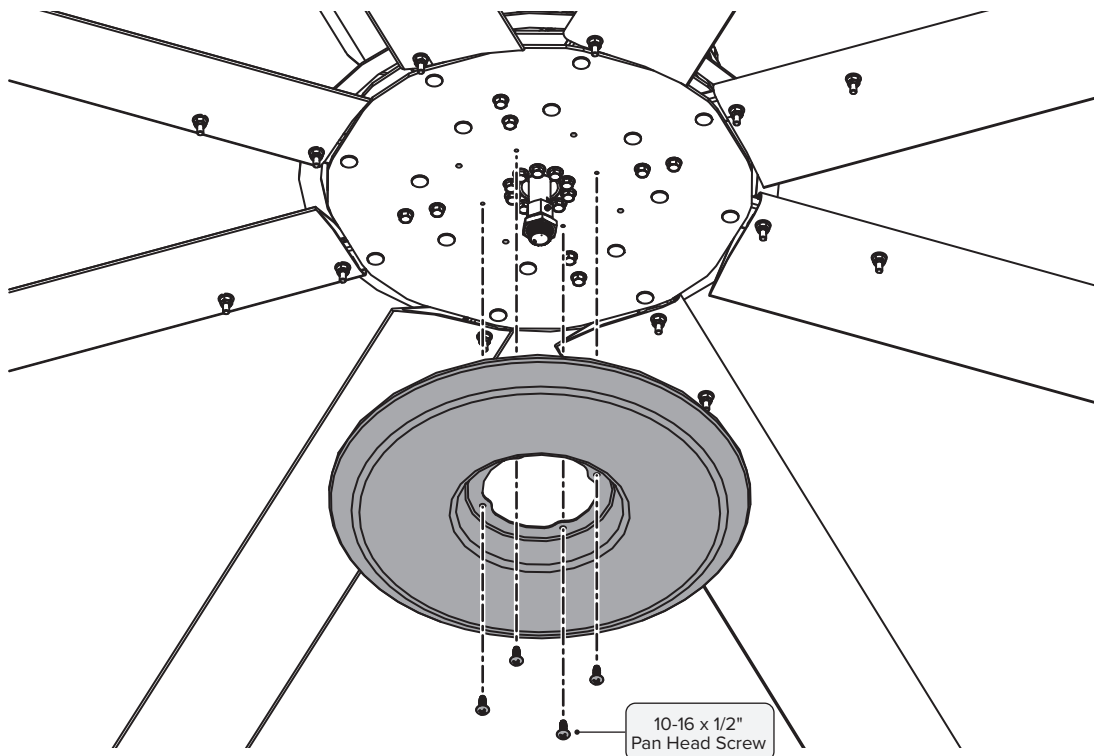
4. STATIC TUBE ADAPTER AND LOCK NUT

If your fan already has a factory-installed (non-removable) static tube, screw **only the lock nut** onto the static tube. For all other installations, screw the static tube adapter onto the static tube, and then install the adapter set screw. Tighten the set screw, and then screw the lock nut onto the static tube adapter.



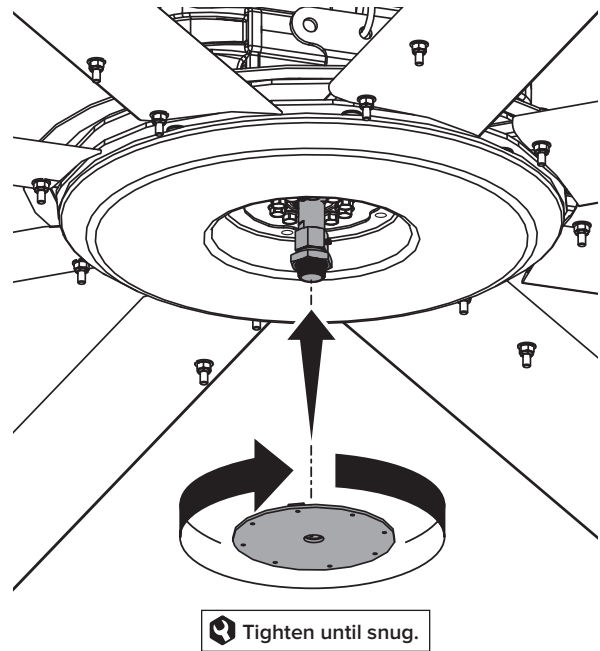
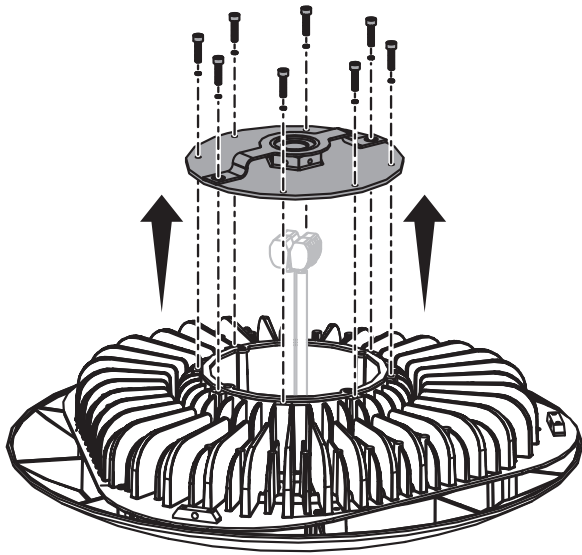
5. HUB COVER

Secure the hub cover to the hub. Skip this step if the hub cover is already installed.



6. LED LIGHT PLATE AND BRACKET

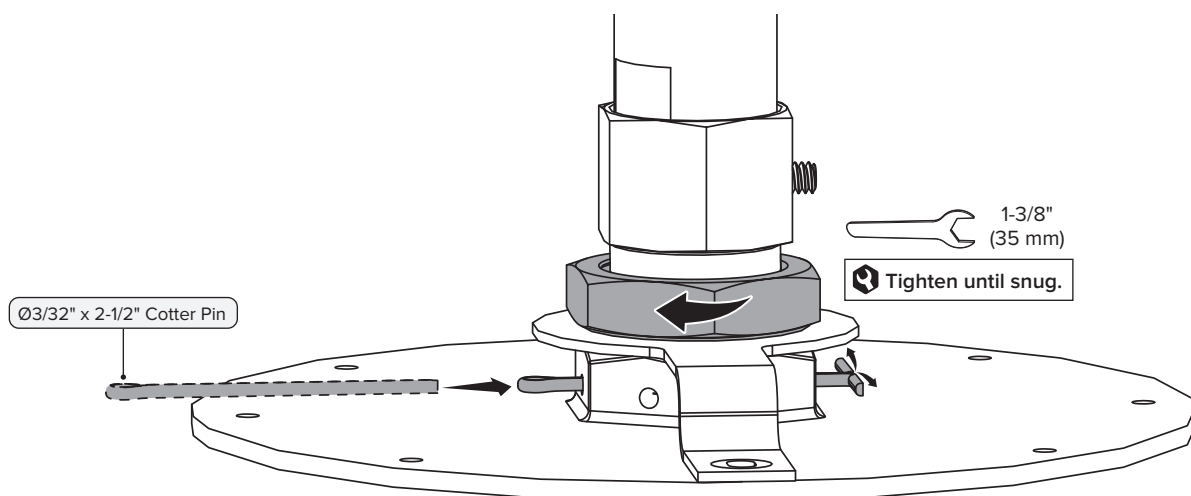
Remove the eight screws, eight lock washers, round plate, and bracket from the top of the LED light. **Set the screws and washers aside in a location where they will not get lost.** Screw the plate and bracket onto the static tube or static tube adapter until snug. Make sure one set of holes in the plate weld nut aligns with the holes in the static tube or static tube adapter.



7. COTTER PIN AND LOCK NUT

Using needle-nose pliers, insert the cotter pin through the holes in the plate weld nut and static tube or static tube adapter. Bend back the ends of the cotter pin to lock it in place, and then tighten the lock nut.

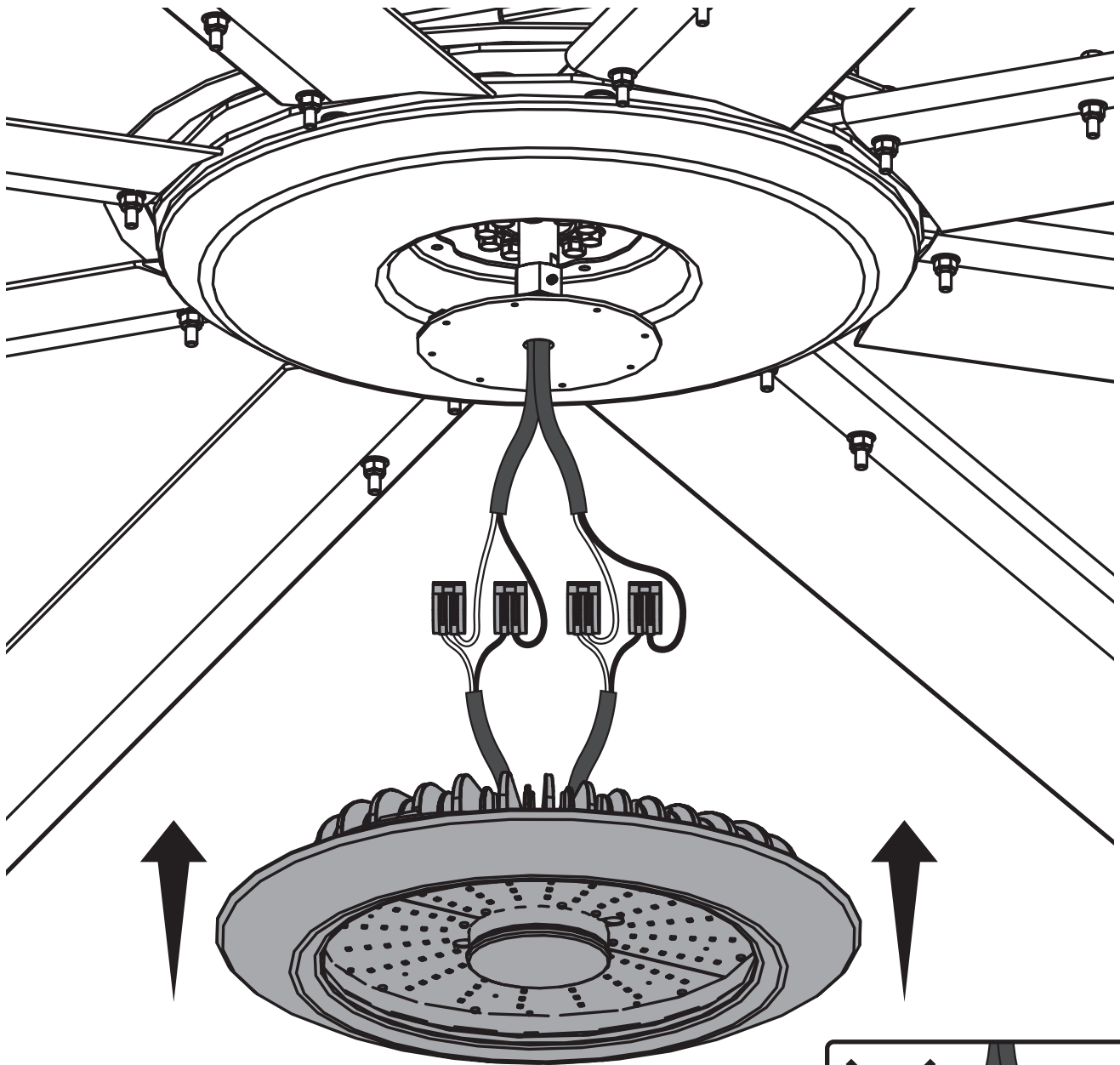
For clarity, the fan and hub cover are not shown in the illustration.



8. LED LIGHT WIRING

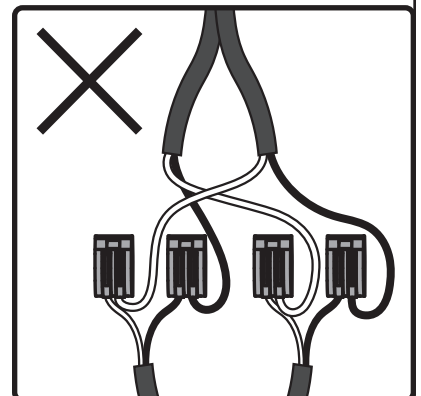
Route the DC wires from the power supply through the static tube. Depending on the wattage, the power supply will have one cable with two wires or two cables with two wires. The LED light will also have one cable with two wires or two cables with two wires. If necessary, trim the power supply cables to eliminate excess wiring.

Raise the LED light to the fan. Connect the power supply wires to the LED light wires of the same color. **Connect each pair of power supply wires (if applicable) to the same pair of LED light wires. Do NOT connect individual power supply wires to different pairs of LED light wires.**



LED light weight: 26.5 lb (12 kg)

Do NOT connect individual power supply wires to different pairs of LED light wires.

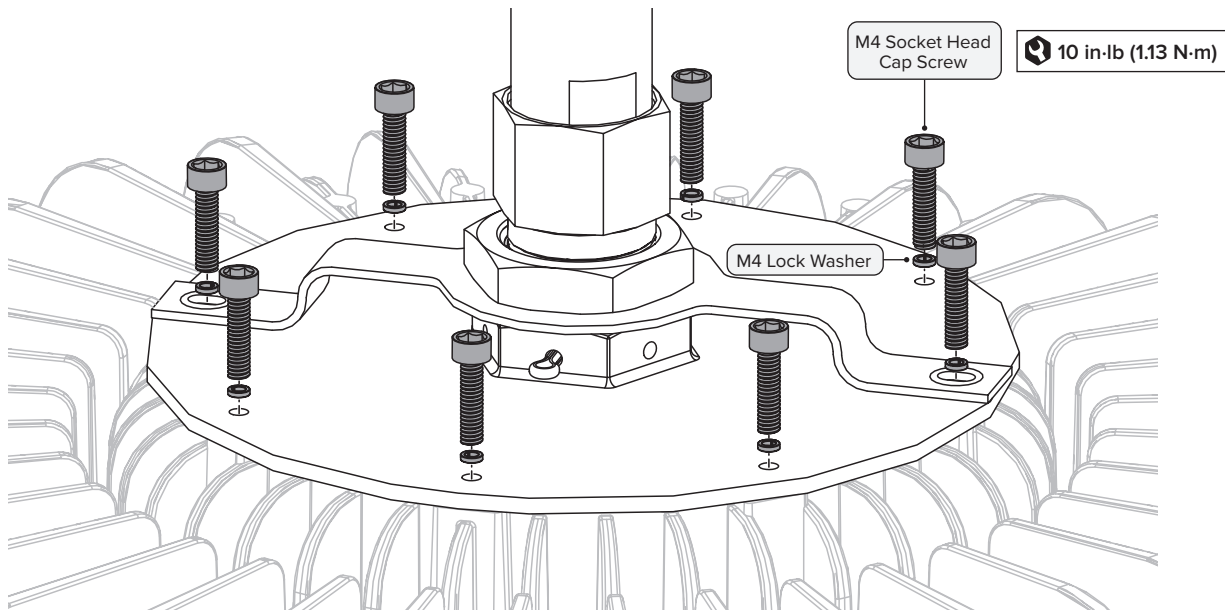


9. PLATE HARDWARE

Carefully pull the power supply cable(s) up into the static tube from the top. Tuck the LED light cables and connectors inside the LED light module. **Tuck ONLY the LED light cables and connectors inside the LED light module. Do NOT tuck the power supply cables into the light module.**

Raise the LED light to the round plate at the bottom of the static tube until the screw holes on top of the light align with the screw holes on the plate. Reinstall the eight socket head cap screws and lock washers into the top of the plate.

For clarity, the fan and hub cover are not shown in the illustration.



NOTES

Large empty rectangular box for notes.

