

# Haiku H Series Indoor

## TECHNICAL SPECIFICATIONS



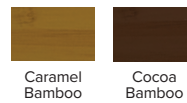
Built from premium materials like sustainable Moso bamboo and featuring cutting-edge SenseME® technology, Haiku H Series has won more than 65 international design and tech awards.

### THE CEILING FAN, REINVENTED

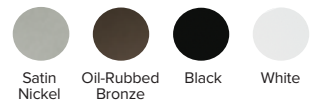
- **Airfoils** — Moso bamboo; 52-inch, 60-inch, or 84-inch (1.3 m, 1.5 m, or 2.1 m) fan sweep
- **Motor** — EC motor with digital inverter drive
- **Controls** — Remote control (included), Haiku Home mobile app<sup>1</sup>, Haiku Wall Control (optional), or voice control<sup>2</sup> (optional)
- **Onboard Sensors** — Ambient and surface temperature, relative humidity, and passive infrared sensors enable SenseME Technology
- **Environment** — Indoor use only
- **Accessories** — Haiku Light Kit, 0–10 V Module, and Haiku Wall Control. See respective spec sheets for details. A Tall Ceiling Kit and Stabilizer Kit are available for ceilings 14 feet (4.3 meters) or taller.



#### Airfoil Finishes



#### Hardware Finishes

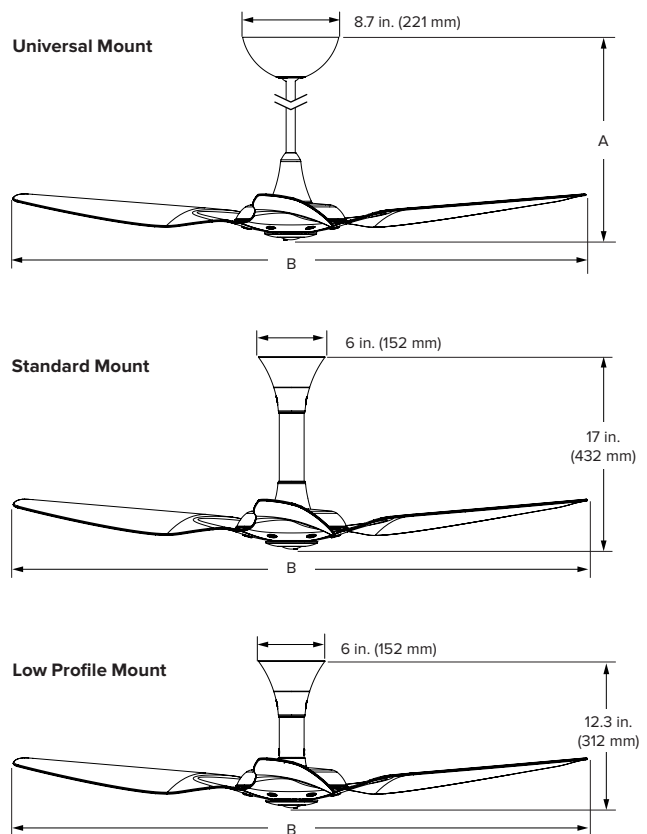


Technical Specifications — Universal Mount			
<b>Diameter of fan sweep (B)</b>	52 in. (1321 mm)	60 in. (1524 mm)	84 in. (2.1 m)
<b>Model number<sup>3</sup></b>	S3127-X2-XX-XX-02-X-01	S3150-X2-XX-XX-02-X-01	B3213-X4-XX-XX-02-D-01
<b>Weight<sup>4</sup></b>	13 lb (5.9 kg)	15 lb (6.8 kg)	21 lb (9.5 kg)
<b>Operating voltage</b>	100–240 VAC, 1 Φ, 50–60 Hz		
<b>Max speed (7 speeds)</b>	200 RPM		135 RPM
<b>Sound level at max speed<sup>5</sup></b>	< 35 dBA		
<b>Included</b>	<b>Extension tube lengths<sup>6</sup></b>	7 in. (178 mm)	20 in. (508 mm)
	<b>Height (A)<sup>7</sup></b>	16 in. (406 mm)	29 in. (737 mm)
<b>Optional</b>	<b>Tall ceiling tube lengths<sup>8</sup></b>	48 in. (1219 mm)	60 in. (1524 mm)
	<b>Height (A)<sup>7</sup></b>	57 in. (1448 mm)	69 in. (1753 mm)

Technical Specifications — Standard Mount		
<b>Diameter of fan sweep (B)</b>	52 in. (1321 mm)	60 in. (1524 mm)
<b>Model number<sup>3</sup></b>	S3127-A2-XX-XX-02-X-01	S3150-A2-XX-XX-02-X-01
<b>Weight<sup>4</sup></b>	14 lb (6.4 kg)	18.5 lb (8.4 kg)
<b>Operating voltage</b>	100–240 VAC, 1 Φ, 50–60 Hz	
<b>Max speed (7 speeds)</b>	200 RPM	
<b>Sound level at max speed<sup>5</sup></b>	< 35 dBA	

Technical Specifications — Low Profile Mount		
<b>Diameter of fan sweep (B)</b>	52 in. (1321 mm)	60 in. (1524 mm)
<b>Model number<sup>3</sup></b>	S3127-S0-XX-XX-02-X-01	S3150-S0-XX-XX-02-X-01
<b>Weight<sup>4</sup></b>	14 lb (6.4 kg)	16 lb (7.3 kg)
<b>Operating voltage</b>	100–240 VAC, 1 Φ, 50–60 Hz	
<b>Max speed (7 speeds)</b>	177 RPM	
<b>Sound level at max speed<sup>5</sup></b>	< 35 dBA	

<sup>1</sup> SenseME Technology and the Haiku Home app are supported by Android® and iOS®. All specifications are subject to change without notice.  
<sup>2</sup> Voice control requires an Amazon Alexa-enabled device.  
<sup>3</sup> "X" indicates a placeholder number, which varies depending on finish options, where the fan is installed, and other factors.  
<sup>4</sup> The actual, precise fan weight will vary based on individual component weights and finishing.  
<sup>5</sup> Actual results of sound measurements in the field may vary due to sound reflective surfaces and environmental conditions.  
<sup>6</sup> The 7 in. (178 mm) tube is not available for 84-inch fans.  
<sup>7</sup> Add 0.8 in. (20 mm) for 84-inch (2.1 m) fans.  
<sup>8</sup> Optional Tall Ceiling Kit packaged separately.



Lead times may vary.  
 See warranty for coverage information.  
 Specifications subject to change without notice.  
 Fan heights do not include the Haiku Fan Light Kit.



AMERICAS  
 HAIKUHOME.COM  
 855-694-2458

CANADA  
 HAIKUHOME.COM/CA  
 844-924-4277

AUSTRALIA  
 HAIKUHOME.COM/AU  
 1-300-244-277

SINGAPORE  
 HAIKUHOME.COM/SG  
 +65 6709 8500

MALAYSIA  
 +603 5565 0888