

Haiku Luxe Series Fans

TECHNICAL SPECIFICATIONS



Elevate your style and comfort with Haiku Luxe Series fans. Available in a variety of bold finishes, these fans establish a new standard for quality, design, technology, and convenience.

QUALITY, ELEGANCE, AND EFFICIENCY

- **Airfoils** — Aircraft-grade aluminum; 60-inch (1.5-meter) diameter
- **Finishes** — Brushed or polished metal, powder coat, or Artisan Replica
- **Motor** — EC motor with digital inverter drive
- **Controls** — Remote control, Haiku Home mobile app¹, Haiku Wall Control (optional), or Amazon Alexa-enabled devices (optional).
- **Onboard Sensors** — Ambient and surface temperature, relative humidity, and passive infrared sensors enable SenseME[®] technology.
- **Environment** — Indoor or covered outdoor use
- **Operational Temperature and Humidity Range** — 32° to 104° F (0° to 40° C); 20% to 90% non-condensing
- **Accessories** — Haiku Light Kit, 0–10 V Module, and Haiku Wall Control. See respective spec sheets for details. A Tall Ceiling Kit and Stabilizer Kit are available for ceilings 14 feet (4.3 m) or taller.



Technical Specifications — Universal Mount

Model number²		S3150-X2-AX-XX-02-C-01-FXXX		
Optional Included	Extension tube lengths	7 in. (178 mm)	20 in. (508 mm)	32 in. (813 mm)
	Height (A)	16 in. (406 mm)	29 in. (737 mm)	41 in. (1041 mm)
Optional	Tall ceiling tube lengths³	48 in. (1219 mm)	60 in. (1524 mm)	
	Height (A)	57 in. (1448 mm)	69 in. (1753 mm)	
Weight⁴		17.5 lb (8 kg)		
Operating voltage		100–240 VAC, 1 Φ, 50–60 Hz		
Watts (min/max)		2/28.78 W		
Amps (min/max)		0.037/0.25 A		
Fan speed (min/max)		35/200 RPM		
Sound level at max speed⁵		< 35 dBA		

Technical Specifications — Standard Mount

Model number²		S3150-A2-AX-XX-02-C-01-FXXX		
Weight⁴		18.5 lb (8.4 kg)		
Operating voltage		100–240 VAC, 1 Φ, 50–60 Hz		
Watts (min/max)		2.09/28.78 W		
Amps (min/max)		0.04/0.25 A		
Fan speed (min/max)		35/200 RPM		
Sound level at max speed⁵		< 35 dBA		

Technical Specifications — Low Profile Mount

Model number²		S3150-S0-AX-XX-02-C-01-FXXX		
Weight⁴		18.5 lb (8.4 kg)		
Operating voltage		100–240 VAC, 1 Φ, 50–60 Hz		
Watts (min/max)		2.02/18.44 W		
Amps (min/max)		0.04/0.25 A		
Fan speed (min/max)		35/175 RPM		
Sound level at max speed⁵		< 35 dBA		

¹ SenseME Technology and the Haiku Home app are supported by Android[™] and iOS[™]. All specifications are subject to change without notice.
² "XX" indicates a placeholder number, which varies depending on finish options, where the fan is installed, and other factors.
³ Optional Tall Ceiling Kit packaged separately.
⁴ The actual, precise fan weight will vary based on individual component weights and finishing.
⁵ Actual results of sound measurements in the field may vary due to sound reflective surfaces and environmental conditions.

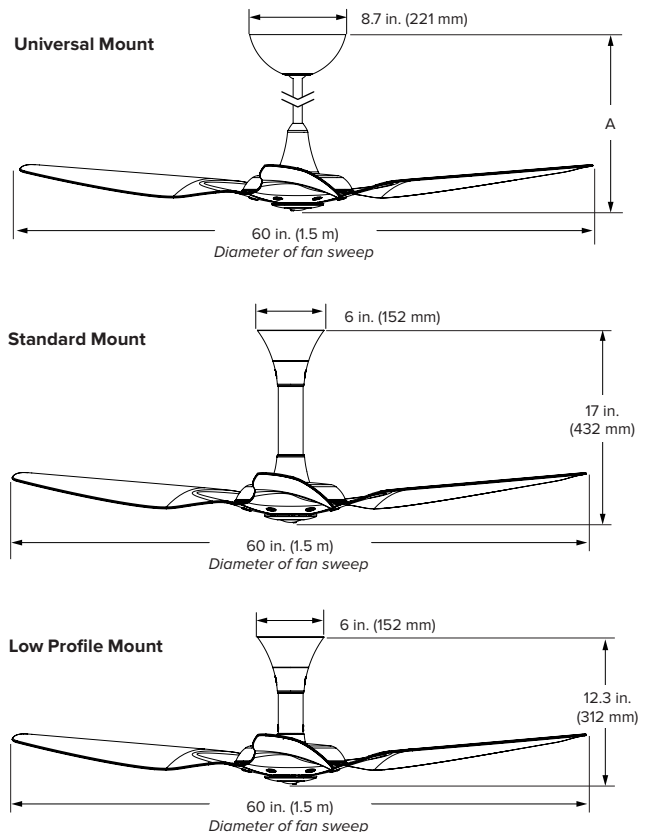
Airfoil Finishes



Hardware Finishes



*Available with black (AB) or white (AW) hardware finish.
 **Powder coat. Available with hardware in same finish (AS or AO).



Lead times may vary.
 See warranty for coverage information.
 Specifications subject to change without notice.
 Fan heights do not include the Haiku Fan Light Kit.



AMERICAS
 HAIKUHOME.COM
 855-694-2458

CANADA
 HAIKUHOME.COM/CA
 844-924-4277

AUSTRALIA
 HAIKUHOME.COM/AU
 1-300-244-277

SINGAPORE
 HAIKUHOME.COM/SG
 +65 6709 8500

MALAYSIA
 +603 5565 0888